

MILOS

Safely Transporting Base Plates

Available in



The New Base Plate Cart

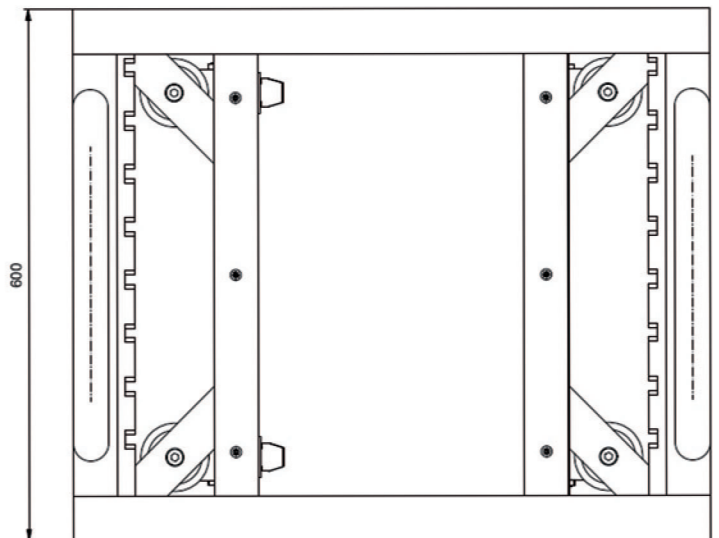
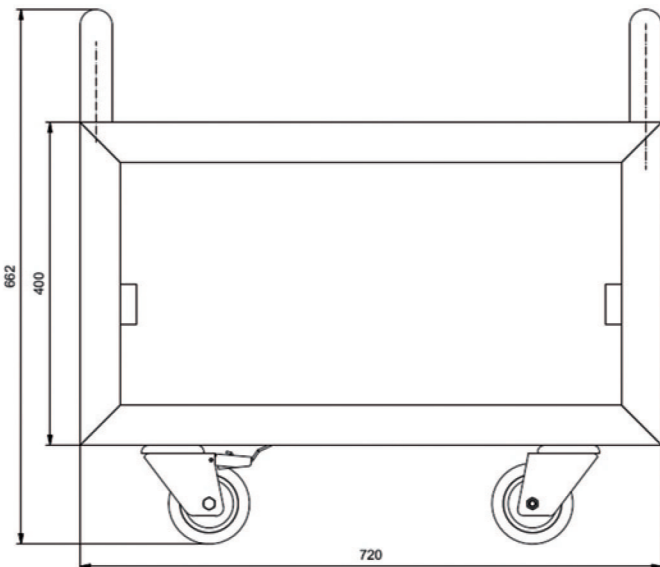
The Milos BASEPLATE-DOLLY-M-B-K-600x600 Cart is the ultimate sturdy base plate storage and transport system that allows easy loading and unloading of your plates. It can hold up to 8 600x600mm steel base plates. It helps you optimize transport space and its easy to handle. Cart is very durable due to all-welded aluminium construction. Castor wheels with brakes come as standard to hold firm once you need it. In addition all carts are fitted with polyamid runners, so you can avoid easily any scratching or damaging of base plates. The cart has user friendly laser marking to indicate correct storage your plates. Empty baseplate dollies can be stacked to save storage space.

MILOS

Safely Transporting Base Plates

PRODUCT NAME:
BASEPLATE-DOLLY

- made from aluminium
- handle for easy handling
- polyamid baseplate holders
- up to 8 steel baseplates 600x600 mm
- castor wheels with brake as standard
- 600 mm wide for optimize transport space
- stackable while empty to save space when not in use



Technical specifications:

| | |
|--------------|------------------|
| Product code | BP-M-B-K 600x600 |
| Weight | 22.00 kg |
| Height | 662 mm |
| Width | 720 mm |
| Depth | 600 mm |
| Material | EN-AW 6082 T6 |