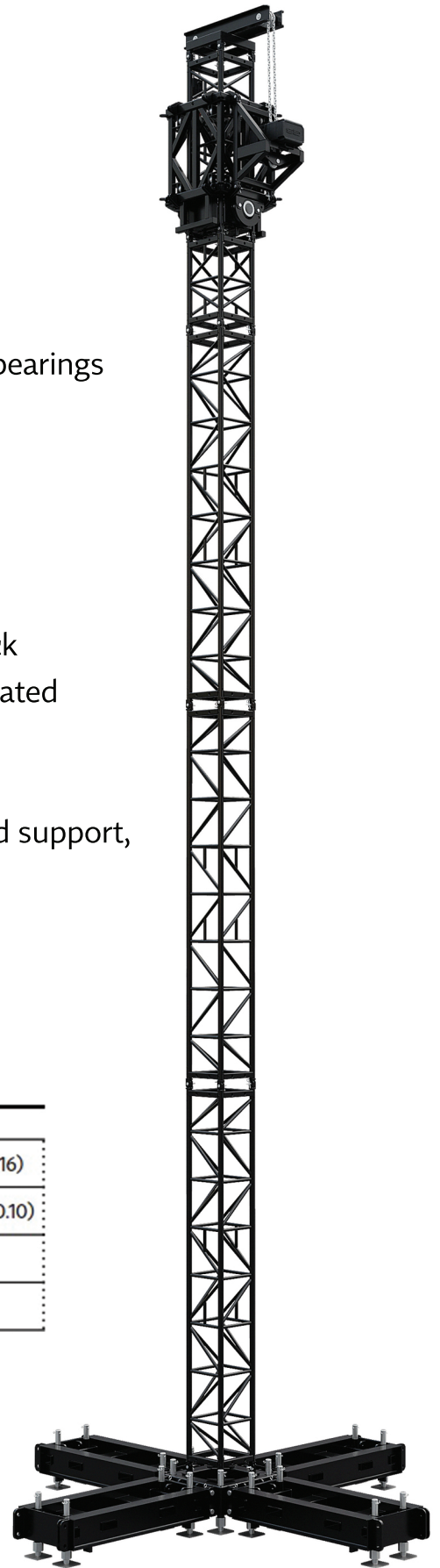


# Steel Tower

## S-MT-P

- Constructed with S-QTPT Ultra High-Strength Steel Truss (530 x 530 mm; 35 m span with 69 kg/m UDL)
- Steel head-section with aluminium wheels and heavy duty bearings
- Integrated steel base with outriggers that interconnect towers in ground support systems or outriggers used by themselves for self-standing towers
- Lugs on steel base and outriggers feature a variety of guy wire attachment points
- Optimised dimensions for packaging and/or nesting in truck
- Pinned connectors for increased safety and strength Integrated forklift pickup points
- End frames equipped with lateral connection options
- When used as 20 m high tower in a guy-wire-braced ground support, the load capacity is up to 47228 kg, or when used with Locking Unit to 45333 kg

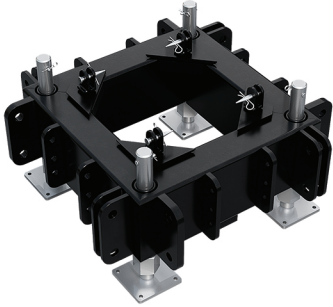


### S-MT-P-16 Steel tower

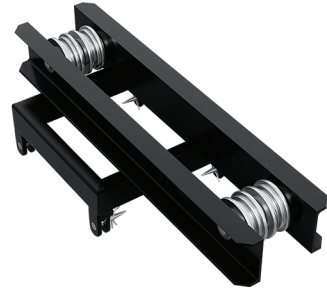
Main Chords	mm	in	60.3 x 4 (2.37 x 0.16)
Diagonals	mm	in	33.7 x 2.6 (1.33 x 0.10)
Height	m	ft	16.00 (50.49)
Self weight	kg	lbs	3500 (7716.18)

# Steel Tower

## S-MT-P



S-MT-P-01|Base



S-MT-P-02|HeadSection



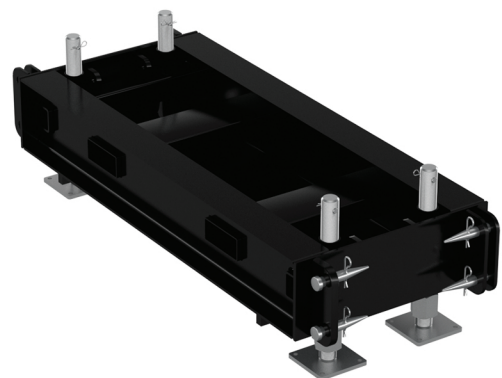
S-MT-P-10|LockingUnit



S-MT-P-09|Bracket



S-MT-P-03|Sleeve



S-MT-Q-05|Outrigger2000