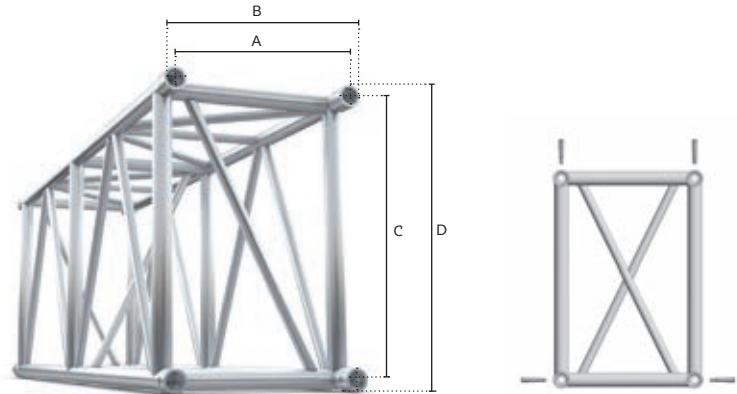


M760

- High-capacity M760 series truss range
- Super-sized conical connections for maximum rigidity
- User-friendly tapered pin holes for ease of assembly
- Great free-span & loading characteristics (up to 32m/ 104,98 ft)
- Connection kit supplied with every truss length & junction
- Compatible with 200/400/500/600 series cell clamps
- Powder coat colour finish available on request

RECT



M760

RTP	mm	in	Main Chords	Diagonals	Horizontal Braces	Alloy	A	B	C	D	Coupler
			50x4 (2x0.16)	30x3 (1.18x0.12)	50x4 (2x0.16)	EN - AW 6082 T6	470 (18.50)	529 (20.83)	712 (28.03)	762 (30.00)	CCO

M760 RTP RECT

LOADING CHART

Span	m (ft)	8.00 (26.25)	10.00 (32.81)	12.00 (39.37)	14.00 (45.93)	16.00 (52.49)	18.00 (59.06)
Centre Point Load (CPL)	kg (lbs)	3238.20 (7139.00)	2557.50 (5638.32)	2097.60 (4624.41)	1763.90 (3888.73)	1509.00 (3326.77)	1306.70 (2880.78)
Deflection	mm (in)	17.00 (0.67)	26.70 (1.05)	38.70 (1.52)	53.00 (2.09)	69.80 (2.75)	89.10 (3.51)
Third Point Load (TPL)	kg (lbs)	2121.50 (4677.10)	1918.20 (4228.90)	1573.20 (3468.31)	1322.90 (2916.49)	1131.80 (2495.19)	980.00 (2160.53)
Deflection	mm (in)	18.90 (0.74)	33.80 (1.33)	48.70 (1.92)	66.40 (2.61)	86.80 (3.42)	110.10 (4.33)
Quarter Point Load (QPL)	kg (lbs)	1414.30 (3117.99)	1278.80 (2819.27)	1048.80 (2312.21)	882.00 (1944.47)	754.50 (1663.39)	653.30 (1440.28)
Deflection	mm (in)	17.60 (0.69)	31.50 (1.24)	45.40 (1.79)	62.00 (2.44)	81.30 (3.20)	103.30 (4.07)
Fifth Point Load (FPL)	kg (lbs)	1060.80 (2338.66)	1051.60 (2318.38)	874.00 (1926.84)	735.00 (1620.40)	628.80 (1386.27)	544.50 (1200.42)
Deflection	mm (in)	16.80 (0.66)	32.90 (1.30)	48.00 (1.89)	65.50 (2.58)	85.70 (3.37)	108.80 (4.28)
Uniformly Distributed Load (UDL)	kg/m (lbs/ft)	530.40 (356.41)	420.60 (282.63)	347.50 (233.51)	252.00 (169.34)	188.60 (126.73)	145.20 (97.57)
Deflection	mm (in)	14.00 (0.55)	27.40 (1.08)	47.40 (1.87)	65.00 (2.56)	85.10 (3.35)	108.00 (4.25)

Span	m (ft)	20.00 (65.62)	22.00 (72.18)	24.00 (78.74)	26.00 (85.30)	28.00 (91.86)	30.00 (98.43)	32.00 (104.98)
Centre Point Load (CPL)	kg (lbs)	1141.20 (2515.91)	1002.40 (2209.91)	883.70 (1948.22)	780.40 (1720.49)	689.30 (1519.64)	607.90 (1340.19)	534.30 (1177.93)
Deflection	mm (in)	111.00 (4.37)	135.80 (5.35)	163.50 (6.44)	194.30 (7.65)	228.30 (8.99)	265.80 (10.46)	306.90 (12.08)
Third Point Load (TPL)	kg (lbs)	855.90 (1886.93)	751.80 (1657.43)	662.80 (1461.22)	585.30 (1290.36)	517.00 (1139.79)	455.90 (1005.09)	400.70 (883.39)
Deflection	mm (in)	136.20 (5.36)	165.30 (6.51)	197.20 (7.76)	232.20 (9.14)	270.10 (10.63)	311.10 (12.25)	355.30 (13.99)
Quarter Point Load (QPL)	kg (lbs)	570.60 (1257.96)	501.20 (1104.96)	441.80 (974.00)	390.20 (860.24)	344.60 (759.71)	303.90 (669.98)	267.20 (589.08)
Deflection	mm (in)	128.10 (5.04)	155.70 (6.13)	186.30 (7.33)	219.80 (8.65)	256.50 (10.10)	296.40 (11.67)	339.60 (13.37)
Fifth Point Load (FPL)	kg (lbs)	475.50 (1048.30)	417.70 (920.87)	368.20 (811.74)	325.20 (716.94)	287.20 (633.17)	253.30 (558.43)	222.60 (490.75)
Deflection	mm (in)	134.60 (5.30)	163.40 (6.43)	195.10 (7.68)	229.70 (9.04)	267.40 (10.53)	308.20 (12.13)	352.20 (13.87)
Uniformly Distributed Load (UDL)	kg/m (lbs/ft)	114.10 (76.67)	91.10 (61.22)	73.60 (49.46)	60.00 (40.32)	49.20 (33.06)	40.50 (27.21)	33.40 (73.63)
Deflection	mm (in)	133.70 (5.26)	162.30 (6.39)	193.90 (7.63)	228.40 (8.99)	265.90 (10.47)	306.60 (12.07)	350.40 (13.80)

STANDARD LENGTHS AND WEIGHTS AVAILABLE

	m (ft)	1.00 (3.28)	1.50 (4.92)	2.00 (6.56)	2.50 (8.20)	3.00 (9.84)	3.50 (11.48)	4.00 (13.12)
RECT	kg (lbs)	22.60 (49.89)	33.30 (73.5)	37.10 (81.84)	47.80 (105.4)	51.50 (113.65)	62.20 (137.22)	65.90 (145.4)

Connection material (pins/clips/couplers) and packaging are not included in above weights