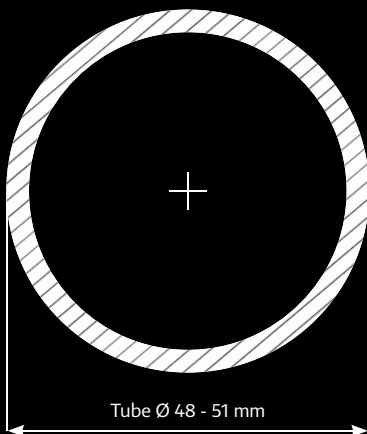


CELL200

- Designed for 48-51mm (1 7/8"-2") diameter tubes
- Precision extruded high tensile aluminium alloy
- Compatible with M290 / M390 / M400 / M520 / M760 / 4GS-35 / 4GS-50 / 4GS-62
- Mounting hole for up to 13mm (1/2") bolts
- Polished surface with laser markings
- Powder coated versions available on request
- Rated with SF 8:1 (kg) DGUV17/BGV C1 (SWL1)
- Rated with SF 4:1 (kg) 2006/42/EC (SWL2)
- Black anodized versions available





CELL201 / CELL201|anodized Basic clamp

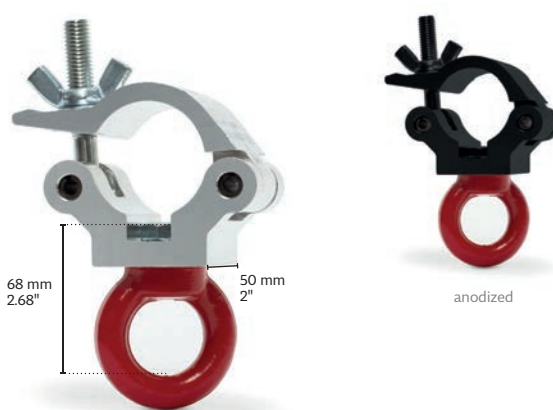
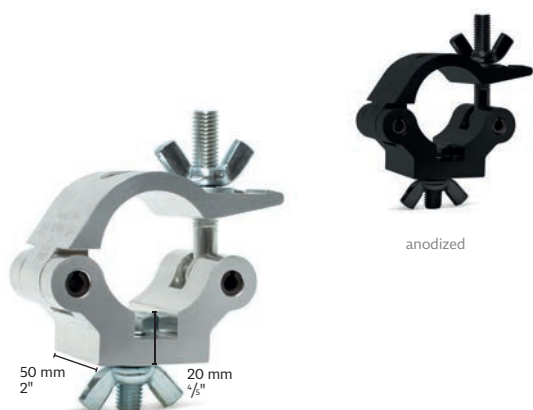
kg	lbs	SWL1	SWL2	Weight	Tube Ø
		650 (1433)	1300 (2865)	0.50 (1.10)	48-51 mm (1.89"-2")

Basic Clamp can be used for most applications.

CELL251|SS Stainless steel fasteners

kg	lbs	SWL1	SWL2	Weight	Tube Ø
		500 (1102)	1000 (2204)	0.50 (1.10)	48-51 mm (1.89"-2")

Clamp with stainless M12 bolt & wingnut and spring pins



CELL202 / CELL202|anodized Clamp with bolt and wingnut

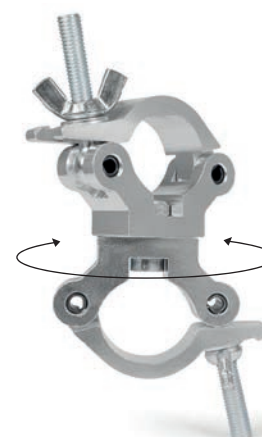
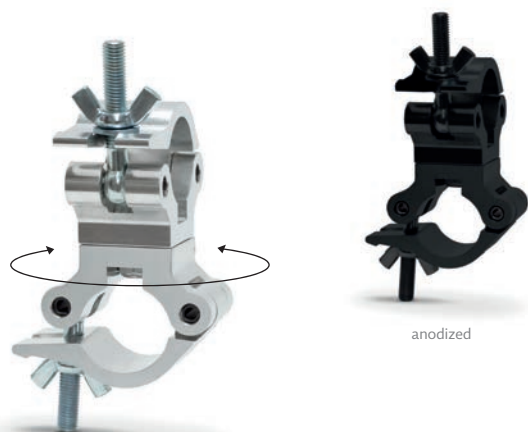
kg	lbs	SWL1	SWL2	Weight	Tube Ø
		650 (1433)	1300 (2865)	0.59 (1.30)	48-51 mm (1.89"-2")

Clamp supplied with M12 x 35 bolt and wingnut.

CELL203|650kg / CELL203|650kg|anodized Clamp with lifting eye

kg	lbs	SWL1	SWL2	Weight	Tube Ø
		650 (1433)	1300 (2865)	0.65 (1.43)	48-51 mm (1.89"-2")

Clamp supplied with steel eye for for attachment of rope or cable.
Version with SWL 340 kg (750 lbs) silver lifting eye (61 mm) available



CELL204 / CELL204|anodized Swivel coupler

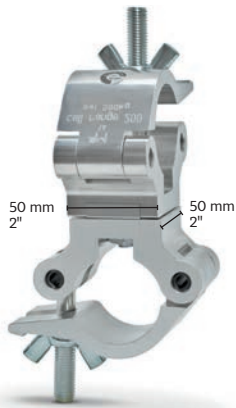
kg	lbs	SWL1	SWL2	Weight	Tube Ø
		540 (1190)	1080 (2381)	1.00 (2.20)	48-51 mm (1.89"-2")

Set of two clamps free to rotate 360° for connection of two tubes.

CEL254|SS Stainless steel fasteners

kg	lbs	SWL1	SWL2	Weight	Tube Ø
		500 (1102)	1000 (2204)	1.05 (2.31)	48-51mm (1.89"-2")

Clamp with stainless M12 bolt & wingnut and spring pins



CELL205 / CELL205|anodized

90° fixed coupler

kg	lbs	SWL1	SWL2	Weight	Tube Ø
		540 (1190)	1080 (2381)	1.00 (2.20)	48-51 mm (1.89"-2")

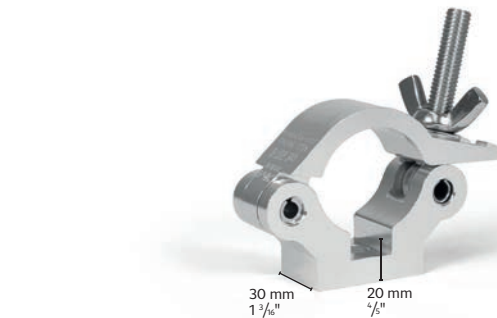
Set of two clamps fixed at 90° to each other for connection of two tubes.

CELL206 / CELL206|anodized

Parallel coupler

kg	lbs	SWL1	SWL2	Weight	Tube Ø
		540 (1190)	1080 (2381)	1.00 (2.20)	48-51 mm (1.89"-2")

Set of two clamps fixed parallel to each other for connection of two tubes.



CELL207 / CELL207|anodized

Slim basic clamp

kg	lbs	SWL1	SWL2	Weight	Tube Ø
		560 (1234)	1120 (2469)	0.30 (0.66)	48-51 mm (1.89"-2")

Slim basic clamp can be used for most applications.

CELL257|SS

Stainless steel fasteners

kg	lbs	SWL1	SWL2	Weight	Tube Ø
		430 (947)	860 (1895)	0.32 (0.71)	48-51 mm (1.89"-2")

Clamp with stainless M12 bolt & wingnut and spring pins



CELL208 / CELL208|anodized

Slim clamp with bolt and nut

kg	lbs	SWL1	SWL2	Weight	Tube Ø
		560 (1234)	1120 (2469)	0.39 (0.86)	48-51 mm (1.89"-2")

Slim clamp supplied with M12 x 50 bolt and wingnut.

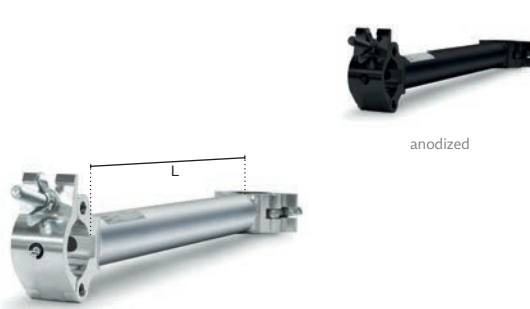
CELL225B / CELL225B|anodized

kg	lbs	SWL1	SWL2	Weight	Tube Ø
		560 (1234)	1120 (2469)	0.48 (1.06)	48-51 mm (1.89"-2")

The pin direction of the half connector depends on use



anodized



anodized

CELL209 / CELL209|anodized

Extended parallel coupler

	L1	L2	L3	Tube Ø
mm	250	500	1000	48-51
in	9.84"	19.69"	39.37"	1.89"-2"

Set of two clamps connected with aluminium tube in various lengths for parallel tube connections. Custom lengths available.

CELL210 / CELL210|anodized

Extended parallel coupler

	L1	L2	L3	Tube Ø
mm	250	500	1000	48-51
in	9.84"	19.69"	39.37"	1.89"-2"

Set of two clamps connected with aluminium tube in various lengths for 90° tube connections. Custom lengths available.



anodized



anodized

CELL211 / CELL211|anodized

Side clamp

	SWL1	SWL2	Weight	Tube Ø
kg	780	1560	0.55	48-51
lbs	1719	3439	1.21	1.89"-2"

Side clamp is ideal for using with trusses. Substitute for claw clamp.

CELL212 / CELL212|anodized

Slim side clamp

	SWL1	SWL2	Weight	Tube Ø
kg	410	820	0.35	48-51
lbs	904	1807	0.77	1.89"-2"

Side clamp is ideal for using with trusses. Substitute for claw clamp.





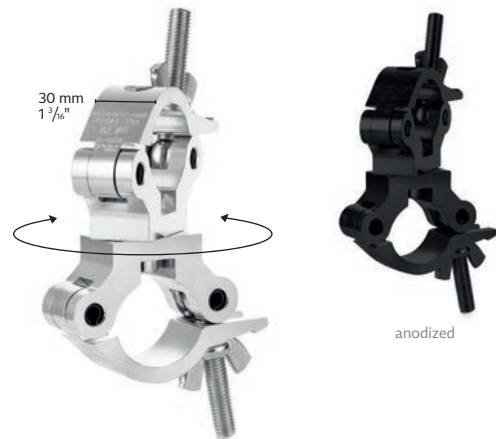
anodized

CELL213 / CELL213|anodized

Boom Arm

	L1	L2	L3	Tube Ø
mm	250 (9.84")	500 (19.69")	750 (29.53")	48-51 mm (1.89"-2")
in				

Constructed with 50x2mm Tube (Also available in custom lengths)



anodized

CELL214 / CELL214|anodized

Swivel coupler

	SWL1	SWL2	Weight	Tube Ø
kg	490 (1080)	980 (2160)	0.71 (1.57)	48-51 mm (1.89"-2")
lbs				

48-51mm Slim Swivel Coupler (CELL207 + CELL207 Assy)



anodized

CELL215 / CELL215|anodized

Basic Cell with universal spigot

	SWL1	SWL2	Weight	Tube Ø
kg	160 (352)	320 (705)	0.70 (1.54)	48-51 mm (1.89"-2")
lbs				

Clamp 201 supplied with Universal spigot



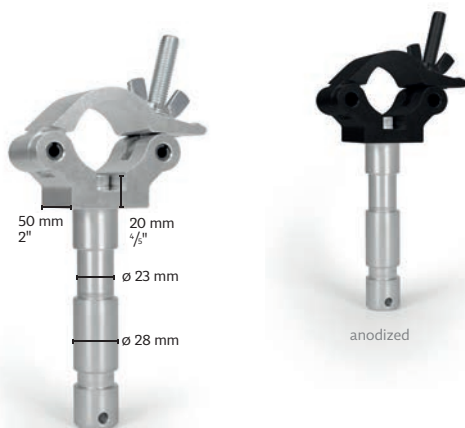
anodized

CELL216 / CELL216|anodized

Basic Cell with swivel TV spigot

	SWL1	SWL2	Weight	Tube Ø
kg	200 (440)	400 (881)	1.36 (3.00)	48-51 mm (1.89"-2")
lbs				

Clamp 201 supplied with swivel TV spigot



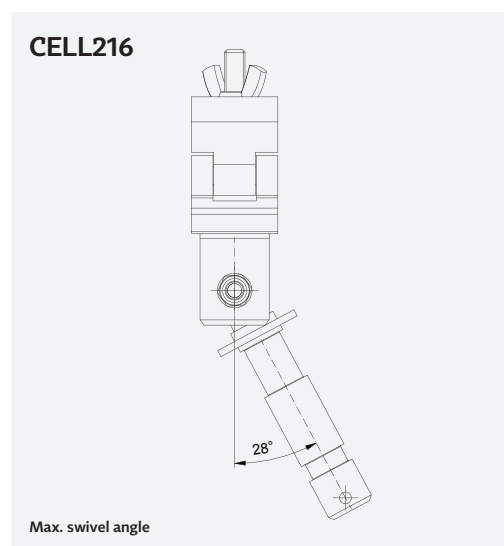
anodized

CELL217 / CELL217|anodized

Basic Cell with fixed TV spigot

	SWL1	SWL2	Weight	Tube Ø
kg	200 (440)	400 (881)	1.10 (2.42)	48-51 mm (1.89"-2")
lbs				

Clamp 201 supplied with fixed TV spigot



Max. swivel angle



anodized



anodized

CELL218 / CELL218|anodized

Swivel coupler

	SWL1	SWL2	Weight	Tube Ø
kg	650 (1433)	1300 (2865)	1.10 (2.42)	48-51mm (1.89"-2")
lbs				60-63.5mm (2.36"-2.5")

48-51mm/60-63.5mm Swivel Coupler
(CELL201 + CELL301 Assy)

CELL219 / CELL219|anodized

Swivel coupler

	SWL1	SWL2	Weight	Tube Ø
kg	160 kg (352)	320 (728)	0.61 (1.34)	48-51mm (1.89"-2")
lbs				32-35 mm (1.26"-1.38")

32-35/48-51mm Swivel Coupler
(CELL131 + CELL201Assy)

