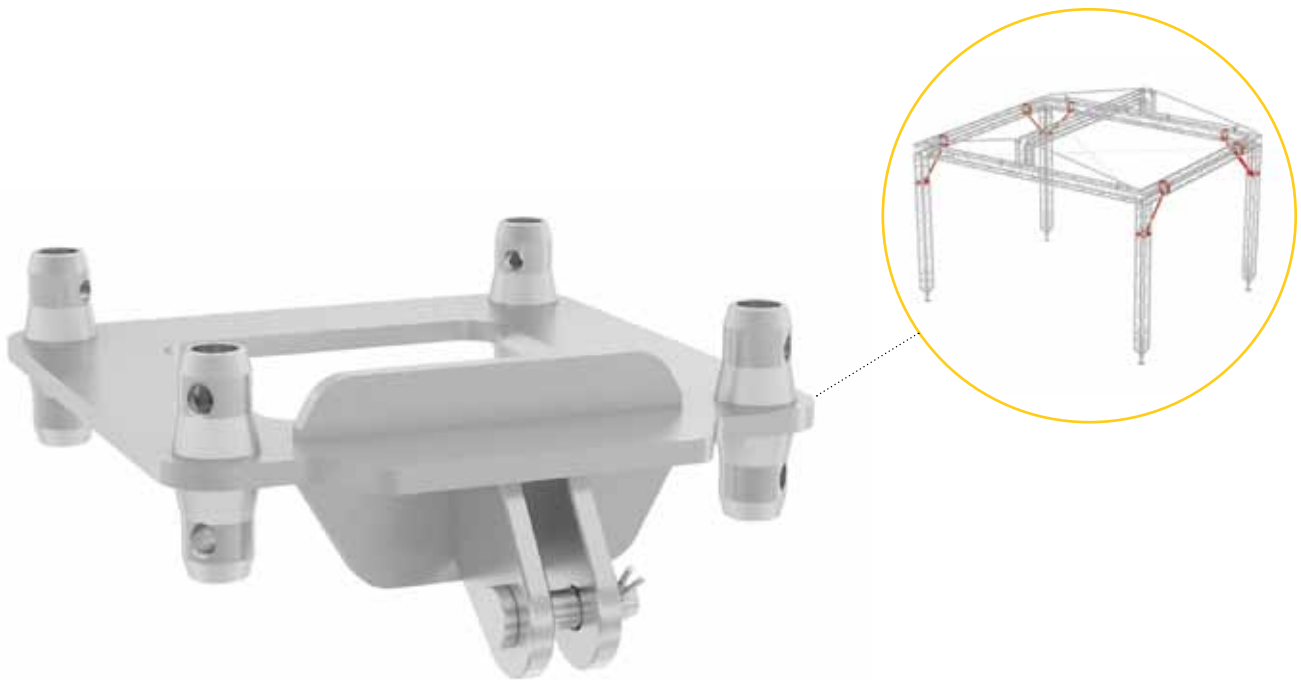


# MILOS

# Corner Brace HD



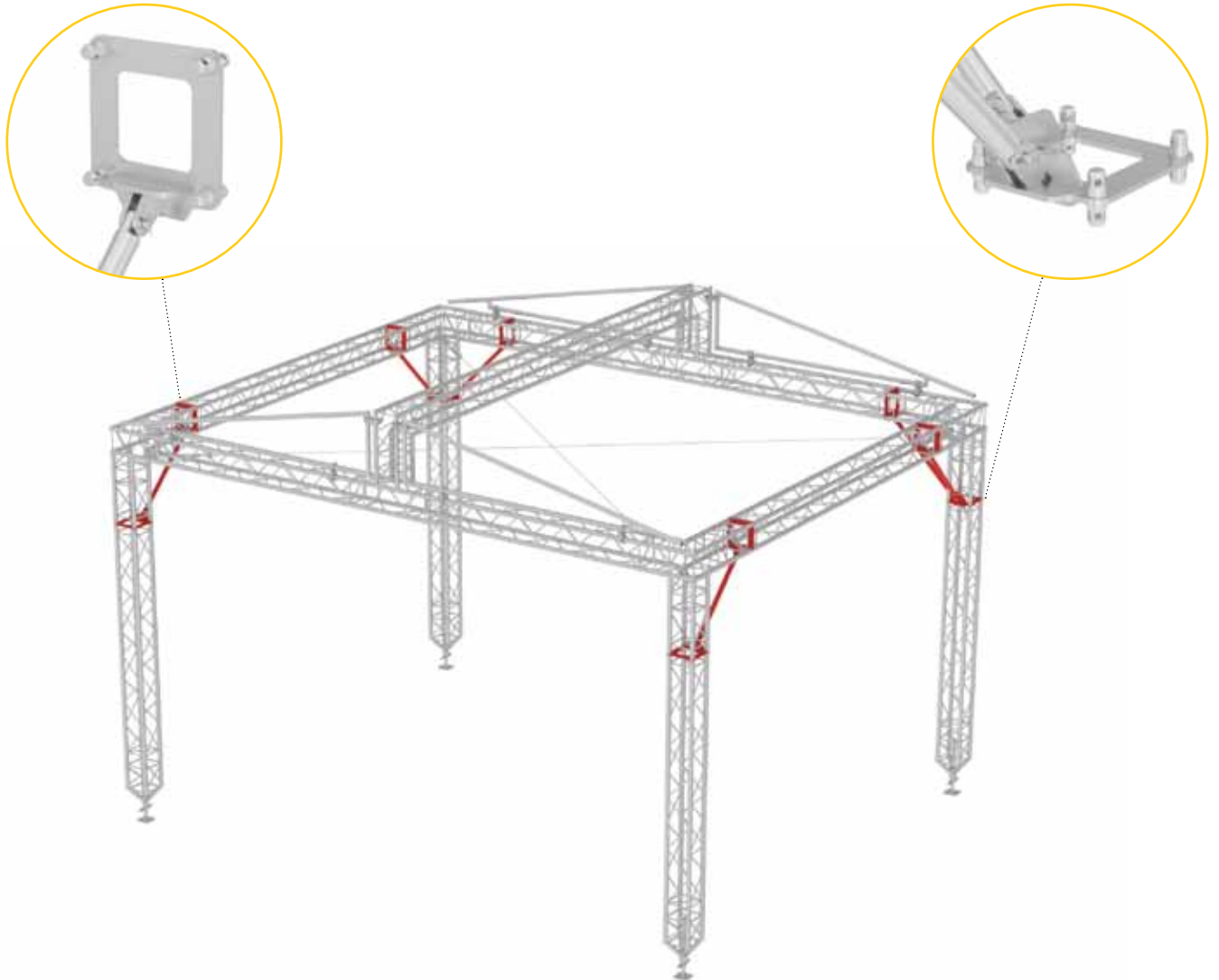
## Goodbye Guy Wires, Hello Full Stage Access

The Milos Corner Brace HD is a new, advanced roof corner reinforcement concept that totally eliminates the need for guy wires in small to medium-sized roof structures, and gives your staff and performers complete access to the stage! Compared to guy wires, installation is greatly simplified and the total time for roof construction is noticeably decreased. Its strong, yet compact, all aluminium design provides the same strength and stability as guy wires! All connection materials are included.

Experience advanced roof reinforcement with the new Milos Corner Brace HD.

MILOS

# Corner Brace HD



## Technical specifications:

<b>CORNER BRACE HD-QTB1</b>	320 x 290 mm (length x width)	P10	3.2 kg
<b>CORNER BRACE HD-QTB2</b>	320 x 290 mm (length x width)	P10	4.0 kg
<b>CORNER BRACE-HD-STRUT-L889</b>	889 mm (length)	Ø 48 x 3	1.4 kg
<b>MR0 6x5 NO GUY WIRES</b>			25 kg/m loading capacity



MILOS s.r.o.  
Spindlerova 286  
413 01 Roudnice nad Labem  
Czech Republic

Tel +420 416 810 800  
info@milos.cz  
www.milossystems.com

