

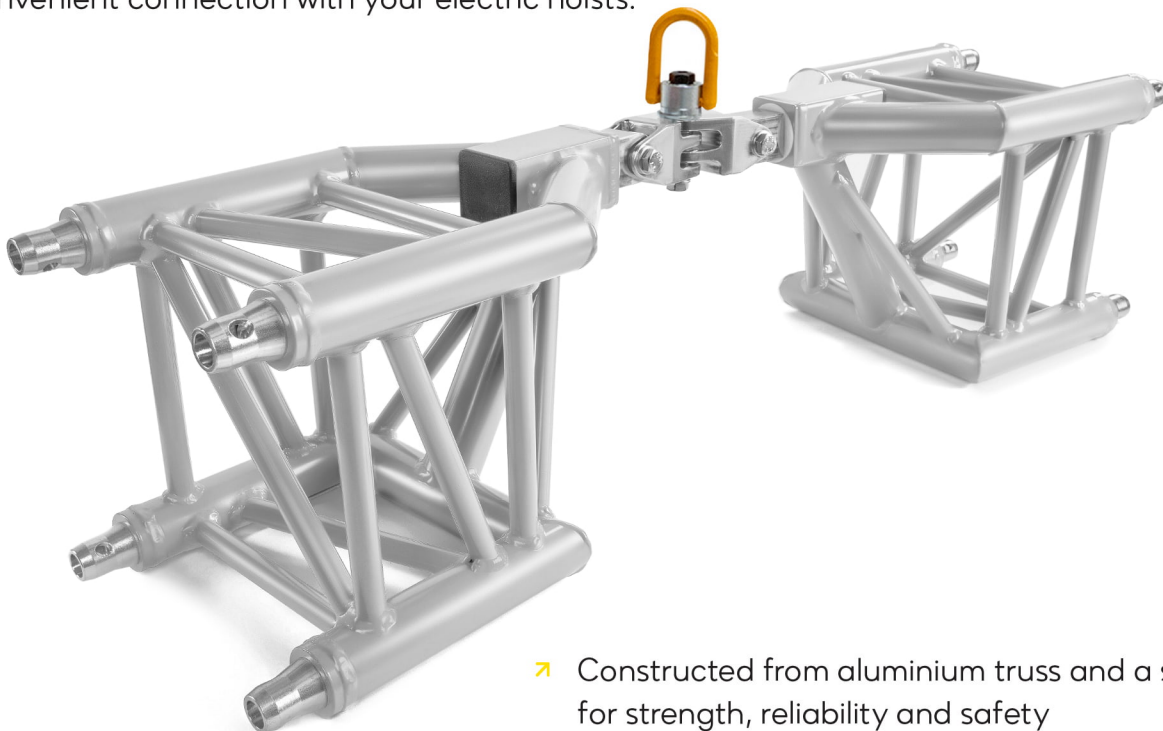
# MILOS

# Ultimate Hinge

## New angles in creative lighting

The new design of the MILOS Ultimate Hinge allows for up and down and side-to-side movements of your truss spans! Constructed from aluminium truss and steel hinge, it provides you with high strength, reliability and safety. It also features a high strength lifting eye for convenient connection with your electric hoists.

The Ultimate Hinge connects seamlessly with MILOS M290 truss, allows for the use of various conical connectors for extended compatibility and eliminates potential damage to book corners.



- Constructed from aluminium truss and a steel hinge for strength, reliability and safety
- High strength lifting eye allows use with electric hoists
- Various conical connector options for extended compatibility
- Eliminates book corner damage