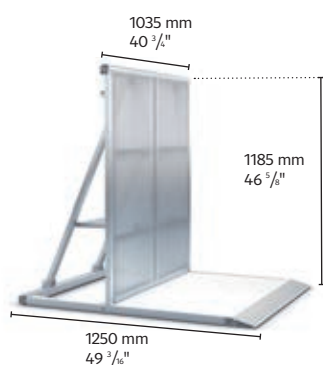


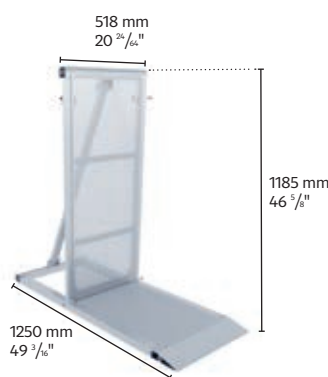
Crowd barriers

- Modular aluminium crowd barrier series
- Rigid construction compliant to the highest safety standards
- Vibration-free hinges for reduced volume storage
- 3-point locking with simple one bolt fits all assembly
- Special designed hinges for quick & easy set-up
- Range of standard & special modules
- Made of EN AW 6082-T6 aluminium alloy
- Barriers come with one set of connection material
- "Finger safe" perforated sheet with $\varnothing = 8$ mm holes



Crowd barrier – 1 m standard unit

Code	kg	lbs
CWB-B	41.2	(90.83)



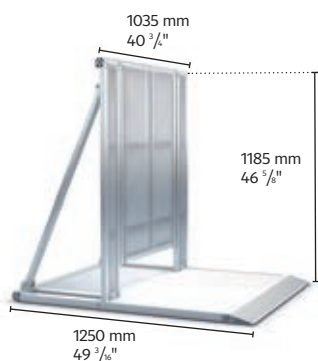
Crowd barrier – Half unit

Code	kg	lbs
CWB-BH	20.8	(45.85)



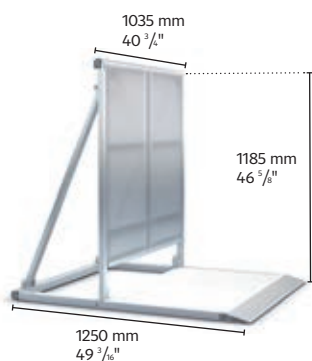
Crowd barrier – Variable corner

Code	kg	lbs
CWB-VC	36.2	(79.80)



Crowd barrier – Gate access

Code	kg	lbs
CWB-DC	50.3	(110.89)



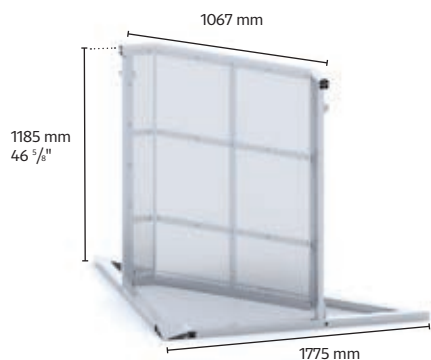
Crowd barrier – 1 m cable cross

Code	kg	lbs
CWB-BC	37.2	(82.01)



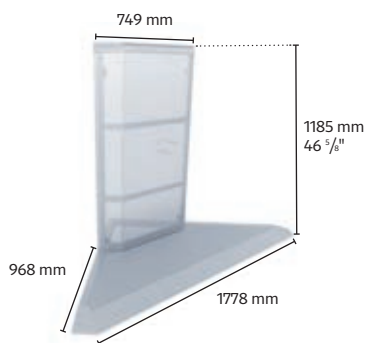
Crowd barrier – Cart up to 10 barriers

Code	kg	lbs
CWB-CART	50.3	(110.89)



Crowd barrier – Inside corner 90°

Code	kg	lbs
CWB-IC90	27.5	(60.62)



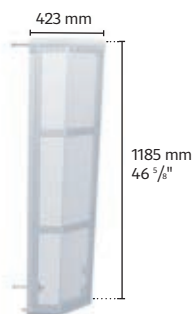
Crowd barrier – Outside corner 90°

Code	kg	lbs
CWB-OC90	30.4	(66.22)



Crowd barrier – Inside corner 30°

Code	kg	lbs
CWB-IC30	15.8	(34.83)



Crowd barrier – 90° Compensator

Code	kg	lbs
CWB-90C	8.1	(17.85)



Crowd barrier – Vario light with 80W x 15H cm, lower cable slot

Code	kg	lbs
CWB-VLC	19.1	(42.1)



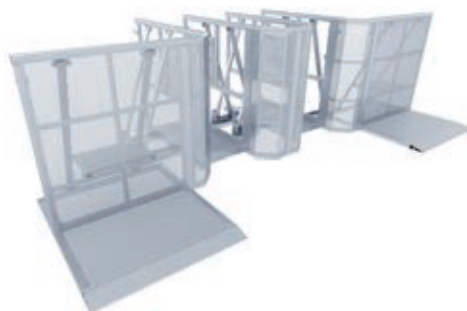
Crowd barrier – Vario light

Code	kg	lbs
CWB-VL	20.0	(44.09)



Crowd barrier – Adjustable adapter +/-100 mm

Code	kg	lbs
CWB-LHA	4.30	(9.47)



Crowd barrier – Two entrance check point

Code	kg	lbs
2x CWB-B + 4x CWB-90C + 2x CWB-SGA		



Connection set

Code	kg	lbs
CWB-FC	0.50	(1.00)

Set of bolts